

ENGINEERING DATA

RNC2.0 ES HRV model

Heat Recovery Ventilator

50 CFM (24 L/s) to 250 CFM (118 L/s)

Item No. 100653 (RNC2.0 ES)



FEATURES

- 3 operating modes (Intermittent, Continuous & High)
- 100% variable speed
- ISF™ 6" (152.5 mm) dia. collar system
- Proportional defrost sequence
- SPM™ Single Person Mounting system
- Permanent lubrication of PSC motors

APPLICABLE REQUIREMENTS

- HVI Certified
- CSA G439 Standard - Packaged Heat/Energy Recovery Ventilators (HRV/ERV)
- CSA Standard CSA 22.2 N°.113-10 - Fans and ventilators
- UL Standard 1812 2nd Ed. Ducted Heat/Energy Recovery Ventilators (HRV/ERV)
- ENERGY STAR®, SRE, TRE and fan efficacy minimum requirements

OPTIONAL ACCESSORIES

- MERV 8 Inline 6" (152.5 mm) filter box
- R-2 Style high performance supply & exhaust ventilation hoods

CABINET

- 20 gauge galvanized pre-painted steel corrosion resistant
- Cabinet liner: Molded Expanded Polystyrene (EPS)
Rated UL94 HF-1

ELECTRONIC COMPONENTS

- Electrical Input Voltage: 120 VAC/60Hz / 1-Phase.
- Electrical Input Current: 1.5 Amps Max
- Circuit output voltage: 5VDC nominal
- Integrated auxiliary furnace interlock relay
- RoHs compliant

MOTORS

- Two permanent sealed, lubricated variable speed PSC Motors. (Maintenance free)
- Maximum RPM 2695 / Horsepower; 3/32 HP. Class F, thermally protected
- CSA 22.2 #113-10, clause 8.3.5
– Backup protection – totally enclosed motor

POLYPROPYLENE HRV CORE

- Dimensions 12"x 12"x 15" depth (304.8 mm x 304.8 mm x 381 mm)
- Corrugated cross-flow polypropylene layers, rated UL94 HB & HF-1
- Cross-flow that transfers sensible heat
- Endure harsh temperatures; effective in cold climates
- Water washable

DUOTROL™ BALANCING SYSTEM

- The system is balanced by adjusting each motor independently
- No balancing dampers required
- Connection terminals for optional wall controls
- Quiet and energy efficient

DEFROST

- Advanced Proportional supply fan shut down defrost sequence
- Defrost type: Evacuation
Activated automatically at -5°C (23°F)

DUCT CONNECTIONS

- Insert Slide & Fix (ISF™), removable collars system
- Four (4) 6" (152.5 mm) dia. round double collar.

MOUNTING

- Adjustable mounting strap system

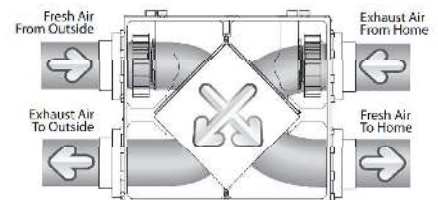
FILTERS

- Two (2) Fiberbond washable - 11¹/₈"x 14³/₄"x ⁵/₈" (297 mm x 375 mm x 15.9 mm)
- UL Class 2

WARRANTY

- 10 year limited warranty on motors
- 5 year limited warranty on parts
- Lifetime limited warranty on Heat Recovery Core

AIRFLOW



Imperial Air Technologies

480 Ferdinand Blvd.,
Dieppe, NB Canada E1A 6V9

Toll free: 1 888 724-5211
Fax: 1 (506) 388-4633

Visit us at: www.greentek.ca / www.imperialgroup.ca

PP0789 / APR2015



Imperial Air Technologies Inc. reserves the right to modify a product, without prior notice, whether in design, colour or specifications, in order to offer at all times a quality product that is highly competitive. Please consult your national and local building codes to find out whether the installation of electrical products require the services of a certified technician or electrician. Greentek™ is a registered Trademark used under license by Imperial Sheet Metal Ltd. All rights reserved.

ENGINEERING DATA RNC2.0 ES HRV

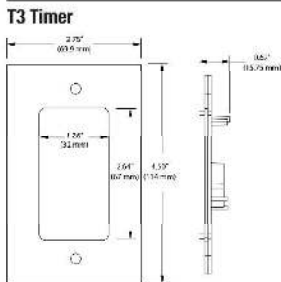
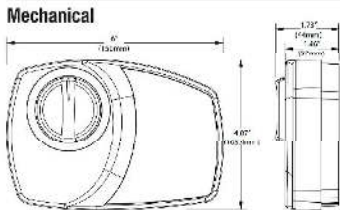
SPECIFICATIONS RNC2.0 ES HRV

Dimensions	29½" x 22½" x 16½" (749.3 mm x 571.5 mm x 419.1 mm)
Duct Connections	Four (4) 6" (152.5 mm) dia. ISF double collar system
Airflow Rates	50 CFM (24 L/s) to 250 CFM (118 L/s)
Motor	Two (2) PSC variable speed backward curved
Voltage	120 VAC @ 60 Hz / 1 Phase
Amperage	1.5 A / 142 watts
Type of heat exchanger	Cross-flow polypropylene
Exchange surface	150 ft² (13.9 m²)
Defrost type	Evacuation
Filters	Two (2) Fiberbond washable
Drain Connection	½" (12.7 mm)
DuoTrol	Integrated Balancing System
Actual Weight	51.5 lbs (23.4 Kg)
Shipping Weight	59 lbs (26.8 Kg)
Certification	HVI, cCSA US, CSA 22.2 N°.113 Complies with UL 1812

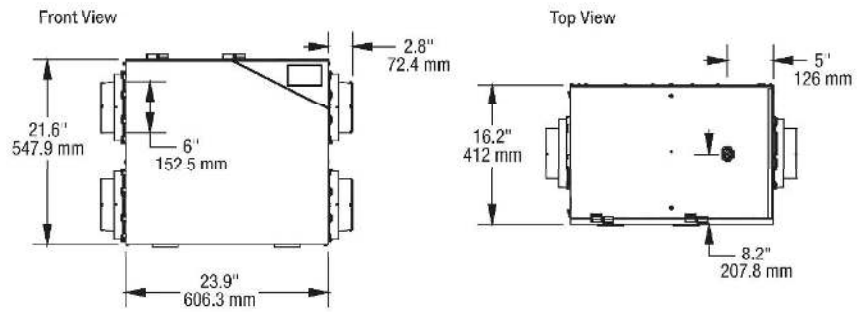
OPTIONAL WALL CONTROLS

Mechanical	RD-1, RD-2, RD-3P and RD-4P
Timers	T3 (20, 40, 60 minutes)

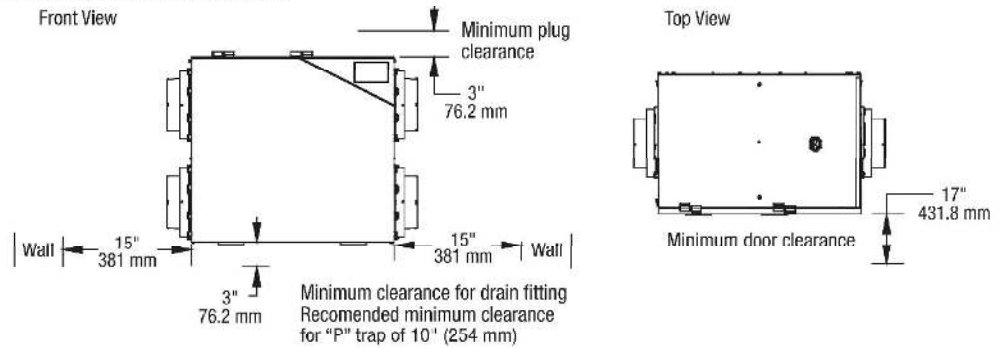
WALL CONTROL DIMENSIONS



DIMENSIONS DATA

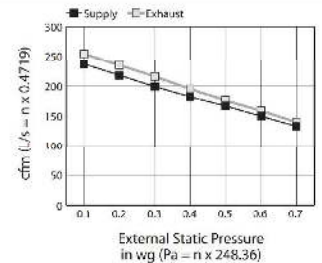


MINIMUM CLEARANCE DATA



VENTILATION PERFORMANCE

External Static Pressure	Net Supply Air Flow		Gross Air Flow Supply		Gross Air Flow Exhaust			
	Pa	in. wg	L/s	CFM	L/s	CFM	L/s	CFM
25	0.1		111	235	112	237	120	254
50	0.2		102	216	103	218	111	235
75	0.3		93	197	94	199	102	216
100	0.4		85	180	86	182	92	195
125	0.5		78	165	79	167	83	176
150	0.6		70	148	71	150	75	159
175	0.7		62	131	63	133	66	140



This product earned the ENERGY STAR® by meeting strict energy efficiency guidelines set by Natural Resources Canada and the US EPA. †meets ENERGY STAR® requirements only when used in Canada.

ENERGY PERFORMANCE

	Supply Temperature		Net Air Flow		Power Consumed	Sensible Recovery
	°C	°F	L/s	CFM	Watts	Efficiency
HEATING	0	32	31	66	58	75
	0	32	43	91	70	73
	0	32	60	127	88	69
	-25	-13	31	66	55	60

Quoted by:	Date:
Project:	Remarks:
Quantity:	
Model:	
Site:	
Architect:	
Engineer:	
Contractor:	