

Electrode Humidifier Cylinder Replacement

HM700ACYL2

INSTALLATION INSTRUCTIONS

CAUTION

Before Servicing

1. Disconnect main power source before accessing internal compartments.
2. The plumbing and electrical compartments contain high voltage components and wiring. Access should be limited to licensed HVAC professionals only.
3. During and following operation of the humidifier, the steam components in contact with the steam such as the cylinder, steam lines, steam distributors, and condensate lines can become hot and burn if touched. Please consult HM700 Installation manual for reference.
4. Installations of humidity equipment installed by unqualified personnel or the use of non-Honeywell parts and components will void warranty.

MAINTENANCE

The HM700 humidifier has been designed to require very little maintenance. Regular maintenance consists of checking the humidifier to ensure it is in good condition, replacing the cylinder when the software advises that the cylinder is spent, and cleaning out the drain valve whenever the cylinder is replaced.

Included in the Box

- Replacement Cylinder
- New O-Ring
- Installation Instructions

Tools Needed

- Screwdriver
- Pliers
- Wrench

SPECIFICATIONS

Product Name: HM700 Replacement Canister

Product Number: HM700ACYL2

Dimensions: See Fig. 1.

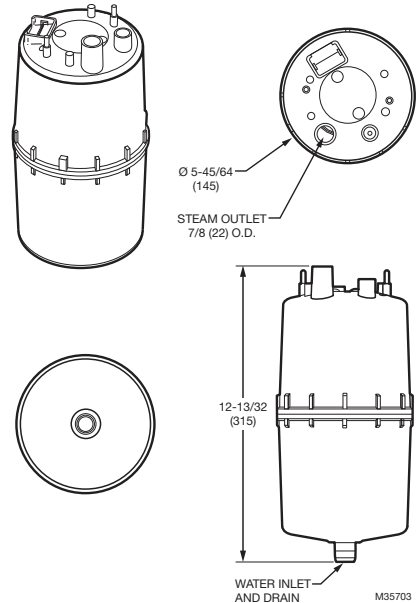


Fig. 1. Dimensions in in. (mm).

Cylinder Spent Fault

When the cylinder is spent the HM700 will stop operating and the yellow LED will flash in a repeating pattern of 4 flashes. At this time the cylinder must be replaced.

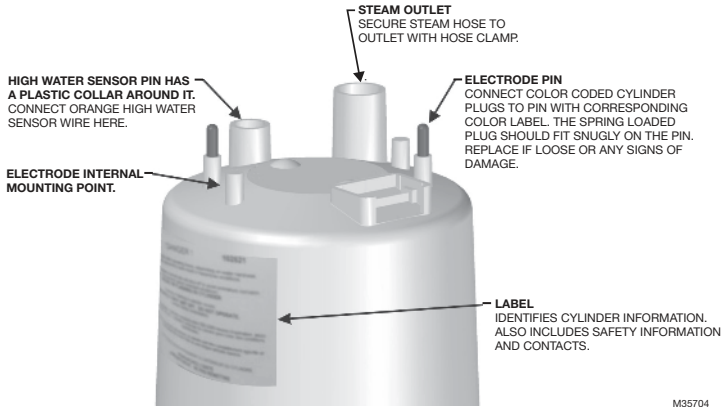
The steam cylinder is disposable and must be replaced at end of cylinder life. Cylinder life is dependent on water supply conditions and humidifier use.



CAUTION
Equipment Damage

Failure to replace the cylinder at the end of cylinder life will result in improper operation and may result in damage to the humidifier. Honeywell is not responsible for any damages resulting from, or attributed to, the failure to replace a spent cylinder.

NOTE: Honeywell recommends keeping a replacement cylinder in stock throughout the humidification season. This will prevent possible downtime when the humidifier reports cylinder end of life.



M35704

Fig. 2. HM700 Cylinder

Removing the Cylinder

WARNING

Disconnect main power at the external disconnect before any servicing.

The inside of the humidifier cabinet contains high voltage components and wiring. Access should be limited to authorized personnel.

1. Drain the existing cylinder by switching the On/Off/Drain switch to the Drain position. Let the humidifier drain until no more water is flowing out to drain (usually not more than 10 minutes).
2. Turn the humidifier On/Off/Drain switch to off.
3. Close supply water shut off valve.

4. Turn off power to the humidifier with the external disconnect.
5. Remove the two screws securing the front cover.
6. Remove the cylinder plugs from the cylinder pins by pulling vertically.
7. Using a flat screwdriver loosen the hose clamp where the hose is connected to the cylinder.
8. Tip the top of the cylinder forward to pivot it out of the steam hose. When free of steam hose lift the cylinder out.

NOTE: The HM700 has a re-usable tie strap to secure the cylinder for transit as well as home installation. This must be removed or loosened to remove the cylinder.

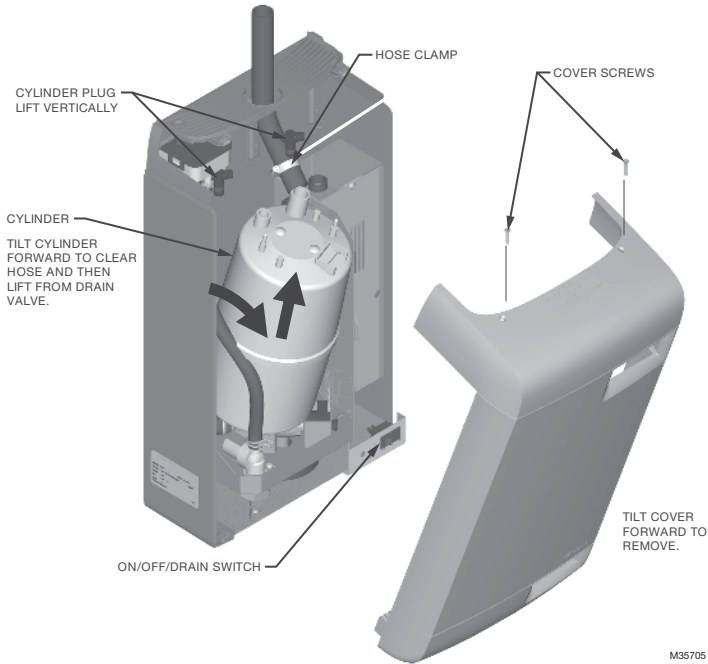


Fig. 3. Cylinder Removal

Drain Valve Cleaning

Always clean the drain valve before installing a new cylinder. Scale from the spent cylinder may have fallen into the drain valve and could prevent its proper operation. To properly clean the drain valve it must be removed and disassembled.

1. Disconnect spade terminals from the drain valve.
2. Remove the two screws holding the valve to the drain pan.
3. Squeeze the tabs of the spring clamp holding the hose to the drain valve and slide it up the hose. Pull hose from drain valve. Lift the drain valve from the drain pan.
4. Unsnap red coil cap on solenoid and remove the solenoid from the valve.
5. Loosen brass nut holding actuator to plastic housing with a wrench and disassemble actuator.
6. Clean actuator components and valve housing (inlet port, outlet port, and cylinder port). Put new o-ring that was supplied with new cylinder into valve.
7. Reassemble actuator making sure tapered end of spring is oriented as shown in Fig. 4. Tighten brass nut 1/4 turn past hand tight.
8. Clean out end of hose and reattach to valve. Slide hose clamp back in place and place valve into drain pan.
9. Secure valve with 2 screws.

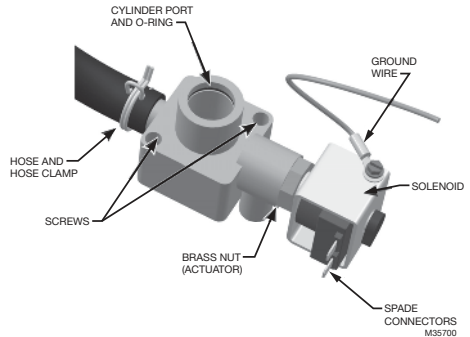


Fig. 4. Drain Valve

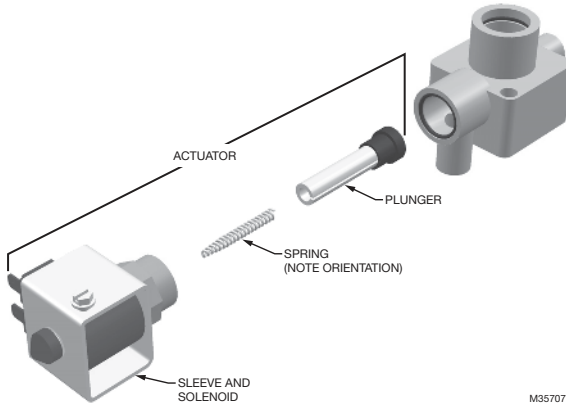


Fig. 5. Drain Valve Actuator Assembly

Installing the New Cylinder



CAUTION

Verify Model Number

Make sure the new cylinder is the same model as the one that was removed. Model number is on top left corner of cylinder label. Only Honeywell HM700 replacement cylinders can be used.

1. Insert cylinder into drain valve. Tilt cylinder forward and fit end of steam hose to steam outlet. Tip cylinder back into place.
2. Tighten hose clamp, being careful not to over-tighten and crush the plastic cylinder steam outlet.
3. Attach color-coded cylinder plugs to the corresponding color-coded cylinder pin. Push down completely. Connect high water sensor plug. Spring-loaded plugs should fit snugly onto the cylinder pin. Replace if they are loose or damaged.

4. Replace the humidifier cover and secure with two screws.
5. Turn on power to humidifier with the external disconnect.
6. Open supply water shut off valve.
7. Turn the humidifier On/Off /Drain switch to On.

NOTE: The HM700 has a re-usable tie strap to secure the cylinder for transit as well as home installation. This must be removed or loosened to remove the cylinder. Secure when new cylinder is installed.

For more information on maintenance and replacement, please visit <http://yourhome.honeywell.com> or call 1-800-468-1502 or 1-800-814-9452

Automation and Control Solutions

Honeywell International Inc.
1985 Douglas Drive North
Golden Valley, MN 55422
customer.honeywell.com

© U.S. Registered Trademark
© 2015 Honeywell International Inc.
33-00159—01 M.S. 11-15
Printed in United States

Honeywell