

FIT[®] 120H

Heat Recovery Ventilator

Product #: 75064



Fantech's low profile HRV is ideally suited for condos and apartments that have no mechanical room and where it must be located over a false ceiling. The FIT 120H brings a continuous supply of fresh air into a home while exhausting an equal amount of contaminated air. During winter, fresh incoming air is tempered by the heat that is transferred from the outgoing air so you save on energy costs, while during summer, the incoming air is pre-cooled if the house is equipped with an air cooling system. The FIT 120H is equipped with automatic defrost mechanisms so you can use your HRV all year round.

Features

- Slim design, only 10.25" (260 mm) high
- Easy to install ceiling bracket included
- Weight: 42 lbs (19 kg) including core
- Fans with backward curved RadiCAL blade
- Electrostatic filters (washable)
- Aluminum heat recovery core
- Easy Core Guide Channels For Removing Core
- Multiple speed operation

Optional Controls

- ECO-Touch™ (#44929) – Programmable Touch Screen Wall Control
- EDF7 (#44883) – Electronic multi-function dehumidistat
- EDF1 (#40375) – Multi-function control
- RTS5 (#44794) – 20/40/60 minute over-ride
- RTS2 (#40164) – 20 minute over-ride
- MDEH1 (#40172) – Dehumidistat

Specifications

- Duct size – 5" (125 mm) oval
- Voltage/Phase – 120/1
- Power rated – 170 W
- Amp – 1.8 A
- Average airflow – 112 cfm (53 L/s)
@ 0.4" P_s (100Pa)

Fans

Two (2) factory-balanced fans with backward curved blades. Motors come with permanently lubricated, sealed ball-bearings to guarantee long life and maintenance-free operation.

Heat Recovery Core

Aluminum heat recovery core covered by a limited lifetime warranty. Core dimensions are 12" x 12" (305 x 305 mm) with a 7.7" (195 mm) depth. Our heat exchangers are designed and manufactured to withstand extreme temperature variations.

Frost Control

A preset frost control sequence is activated at an outdoor air temperature of 23°F (-5°C) and lower. During the defrost sequence, the supply blower shuts down & the exhaust blower switches into high speed to maximize the effectiveness of the defrost strategy. The unit then returns to normal operation, and continues cycle.

Serviceability

Core, filters, fans, drain pan and electrical panel can be accessed easily from the access panel. Core conveniently slides out with only 8" (203 mm) clearance.

Cabinet

24 gauge G90 galvanized steel.

Insulation

Insulated with 1 in. (25 mm) of foil-faced high density polystyrene foam an 0.25 in. (6 mm) of closed-cell foam on the top of the unit.

Filters

Two (2) washable electrostatic panel type air filters. Exhaust air filter dimensions 11.2" (284mm) x 7" (176 mm) x 0.125" (3mm). Supply air filter dimensions 11.4" (289mm) x 7.7" (196 mm) x 0.125" (3mm).

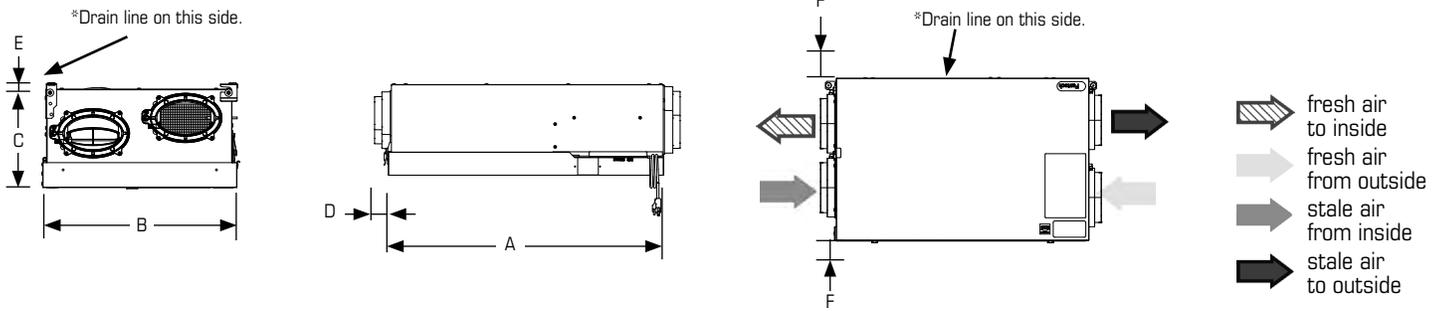
Installation

Unit is typically hung by using ceiling bracket supplied with unit. Optional chain kit available.

Warranty

Limited lifetime on aluminum core, 7 year on motors, and 5 year on parts.

Dimensions & Airflow



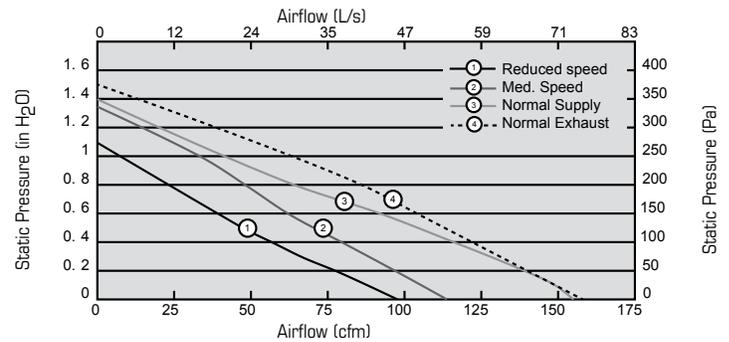
Model	A		B		C		D		E		F*	
	in	mm	in	mm	in	mm	in	mm	in	mm	in	mm
FIT 120H	31	785	21	531	10 1/4	260	1 7/8	50	1/2	14	3	75

* Clearance required in order to open the door.

Clearance of 8" (203 mm) on the bottom of the unit is recommended for removal of core. All units feature three foot plug-in power cord with 3-prong plug.

Ventilation Performance

in.wvg. (Pa)	0.2 (50)	0.4 (100)	0.6 (150)	0.8 (200)
	cfm (L/s)	cfm (L/s)	cfm (L/s)	cfm (L/s)
Net supply airflow	134 (63)	112 (53)	88 (42)	61 (29)
Gross supply airflow	139 (65)	116 (55)	92 (43)	64 (30)
Gross exhaust airflow	140 (66)	122 (58)	104 (49)	86 (41)



Energy performance

Heating	Supply temperature		Net airflow		Consumed power	Sensible recovery efficiency	Apparent sensible effectiveness	Latent recovery/moisture transfer
	°F	°C	cfm	L/s	W	%	%	-
	32	0	60	28	66	65	77	0.00
	32	0	86	41	96	64	76	0.01
	32	0	117	55	148	60	71	0.01
	-13	-25	65	31	63	56	81	0.00

Requirements and standards

- Complies with the UL 1812 requirements regulating the construction and installation of Heat Recovery Ventilators
- Complies with the CSA C22.2 no. 113 Standard applicable to ventilators
- Complies with the CSA F326 requirements regulating the installation of Heat Recovery Ventilators
- Technical data was obtained from published results of test relating to CSA C439 Standards
- HVI certified

Contacts

Submitted by: _____	Date: _____
Quantity: _____	Model: _____
Project #: _____	
Comments: _____	
Location: _____	
Architect: _____	
Engineer: _____	Contractor: _____

Distributed by:

United States 10048 Industrial Blvd. • Lenexa, KS 66215 • 1.800.747.1762 • www.fantech.net

Canada 50 Kanalfarkt Way • Bouctouche, NB E4S 3M5 • 1.800.565.3548 • www.fantech.net

Fantech, reserves the right to modify, at any time and without notice, any or all of its products' features, designs, components and specifications to maintain their technological leadership position.



fantech[®]
a systemair company