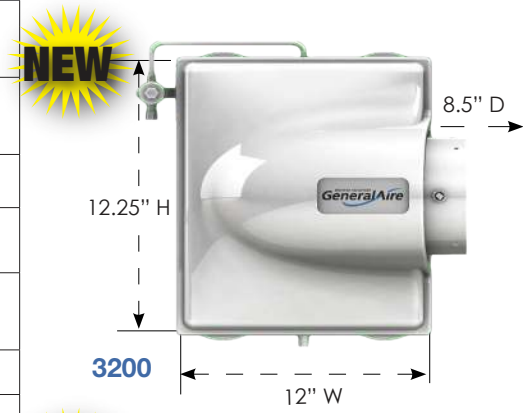


## Spec Sheet

*Installs Quickly & Easily*

Evaporative Models	3200	4200
Order Number (Includes MHX3C Manual Humidistat)	5800	5950
Order Number (Includes GFX3 Digital Automatic Humidistat)	5801	5951
Type	Evaporative Humidifier	
Home Size (Sq. Ft.)	Up To 3,200	Up To 4,200
GPD (Based on 120° Plenum Temperature)	Up To 12	Up To 17
Dimensions (Inches; HxWxD)	12.25 x 12 x 8.5	15 x 12 x 8.5
Weight (Pounds)	7	8
Replacement Vapor Pad® (Replace Once Per Season)	GA10 (GFI#7905)	GA35 (GFI#7902)
Installation	Warm Air / Return Air Plenum / Right or Left Side	
Plenum Opening (Inches)	9.125 x 9.125	9.125 W x 12 H
Bypass Opening (Inches)	6	
Pallet Quantity	36	30
Cabinet Construction	UV-Stable Automotive Grade Plastic	
Humidistat	MHX3C Standard / GFX3 Special Order	
Voltage (Volts)	24	
Warranty (Years)	5	
Typical Installation	For Newer homes up to 3,200 square feet and homes with a forced-air heating system.	For Newer homes up to 4,200 square feet and homes with a forced-air heating system.
In The Box	Humidifier, Humidistat, Control Bypass Damper, 24V Transformer, Solenoid Valve, Vapor Pad®, Saddle Valve, (GCV3412 Code Valve - A Models), Installation Manual, Template, Parts.	



## Accessories



**MHX3C (GFI #7038)**  
 Manual Humidistat  
 Included With Models  
 5800 & 5950



**GFX3 (GFI #7050)**  
 Automatic Humidistat  
 Included With Models  
 5801 & 5951



Designed & Assembled  
 in Michigan, USA



43800 Grand River Avenue  
 Novi, Michigan 48375  
 Toll Free: (866) 476-5101  
[www.generalaire.com](http://www.generalaire.com)

## Spec Sheet

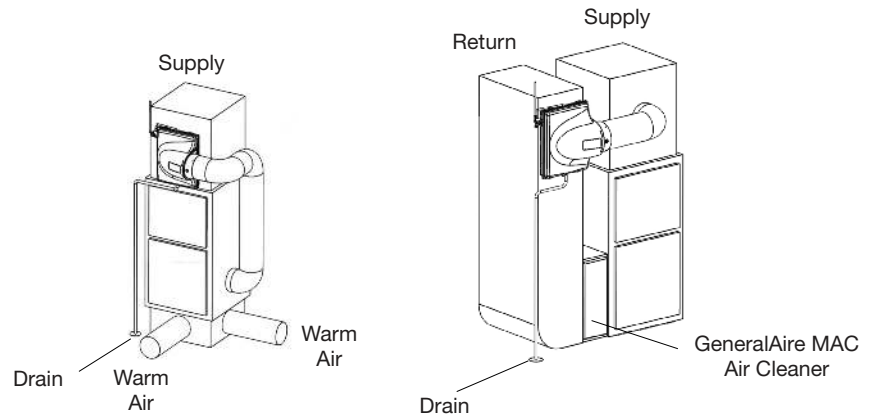
### Models 3200 & 4200 Features

- Model 3200 accomodates up to 3200 square feet. Model 4200 accomodates up to 4200 square feet.
- Newly designed, low profile cover ensures heated air goes directly through the Vapor Pad® at its warmest point.
- Newly designed distributor trough ensures even water saturation over the entire Vapor Pad® for maximum humidity output.
- Redesigned Vapor Pad® frame profile is thinner; exposing more of the saturated Vapor Pad® for maximum humidity output.
- Easy snap-in-place UV stable cover allows for quick access to Vapor Pad®.
- Stainless steel distributor tube allows for either cold or hot water supply.
- Left or right bypass installation options.
- Left or right solenoid valve installation options.
- MHX3 manual control or GFX3 digital automatic humidistat is included.

### Installation

Vertical plenum surface of any forced air furnace

### Installs Quickly & Easily



### Maintenance

Change the Vapor Pad® at least once per year.

### Product Support

- Installation Manual
- Home Owner Brochure
- Competitive Comparison
- [www.GeneralFilters.com](http://www.GeneralFilters.com)
- Tech Support (866) 476-5101



For Model 3200  
(GFI #7905)



For Model 4200  
(GFI #7902)