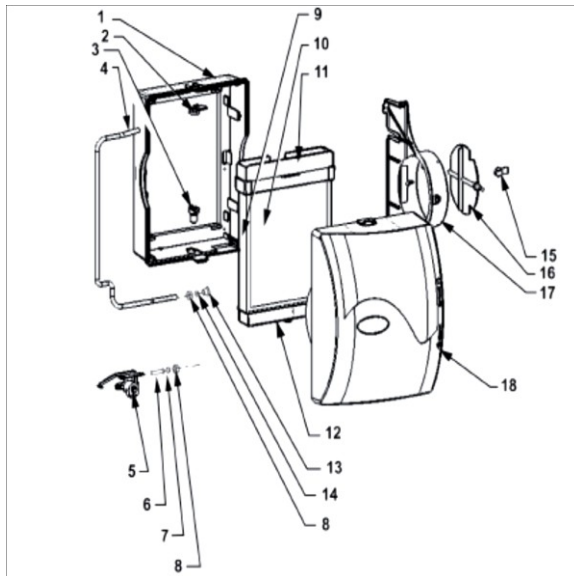




**MODEL 570 ELITE SERIES
FLOW THRU HUMIDIFIER
12 GPD
10 YEAR WARRANTY**



Item	Description	Product Code	Qty Req'd
	C/W GF-X3 Digital Stat	GF-570DMD	
	C/W MHX3 Manual Stat	GF-570DMM	
1	Chasis	GF-570-1	1
2	Nozzle	GF-900-9	1
3	Spout	GF-900-10	1
4	Distributor Tube	GF-GA4235	1
5	Solenoid Valve	GF-GA4040	1
6	Strainer Screen	GF-GA4004	1
7	Compression Sleeve (copper)	GF-P102	1
	Compression Sleeve (plastic)	GF-P190	1
8	Compression Nut	GF-P101	2
9	Pad Rail	GF-570-40	2
10	Vapor Pad	GF-GA10	1
11	Distributor Trough	GF-900-15	1
12	Drain Pan	GF-900-14	1
13	Orifice (Yellow)	GF-GA4231	1
14	Compression Sleeve (plastic)	GF-P190	1
15	Damper Knob	GF-900-11	1
16	Damper Disk	GF-900-28	1
17	Side Panel	GF-570-2	1
18	Cover	GF-570-13	1
ITEMS NOT SHOWN			
	Digital Humidistat	GF-X3	1
	Manual Humidistat	GF-MHX3	1
	Transformer	GP-81-45	1
	Saddle Valve Assy Self Tapping	GP-81-51SPV	1
	Water Supply Kit	GP-81-60	1
	By Pass With Collar	GP-81-57	1
	Metal Plenum Ring	GP-1040-13	1
	Low Voltage Wire	GP-81-24	1
	Drain Hose	GF-990-31	1
	Drain Hose Clamp	GP-P131	1