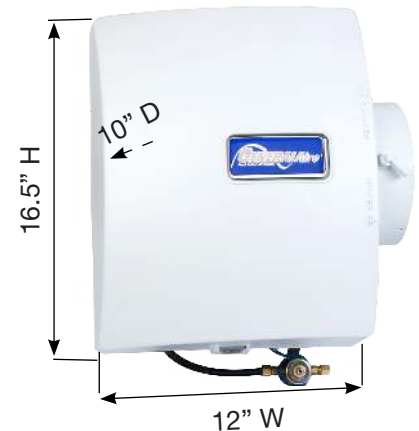


GeneralAire® Humidifier Model 900

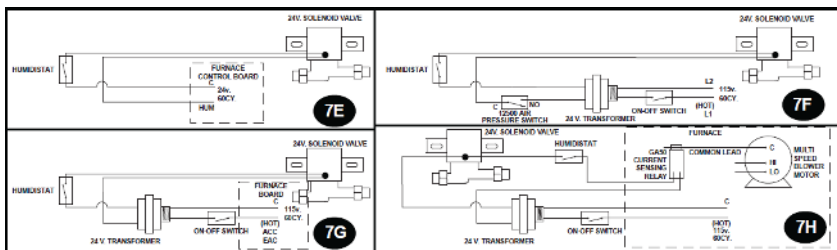
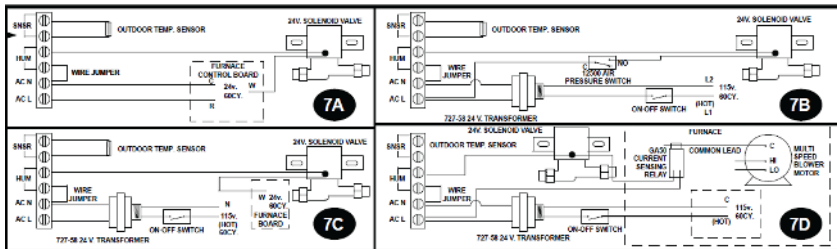
Spec Sheet

Specifications:

- **Model:** 900 (A & M) Elite Flow Through Humidifiers (GFI #5720 & 5725)
- **Type:** Flow Through
- **GPD:** 17
- **Warranty:** 10 Years
- **Replacement Vapor Pad®:** GA19 (GFI#7919) (Replace 1-2 times per season)
- **Dimensions:** 12" W x 16 1/2" H x 10" D
- **Weight:** 8 Lbs.
- **Home Size:** To 2,800 Sq. Ft.
- **Installation:** Warm Air / Return Air Plenum / Right or Left Side
- **Plenum Opening:** 8 3/4" W X 12" H
- **Bypass Opening:** 6"
- **Pallet Qty:** 30
- **Cabinet Construction:** DuraPlast® Ultra-Violet Stable Automotive Grade Plastic
- **Humidistat:** "M" Models: MHX3C / "A" Models: GFX3 (Included)
- **In Box:** Humidifier, Humidistat, Control Bypass Damper, 24V Transformer, Solenoid Valve, Vapor Pad®, Saddle Valve, (GCV3412 Code Valve - A Models), Installation Instructions, Template, Parts.
- **Voltage:** 24V



Wiring Illustration



Automatic Humidistat
7A-7D Electronic Humidistat

GFX3
GFI #7050
Included
"A" Models



Manual Humidistat
7E-7H Manual Humidistat

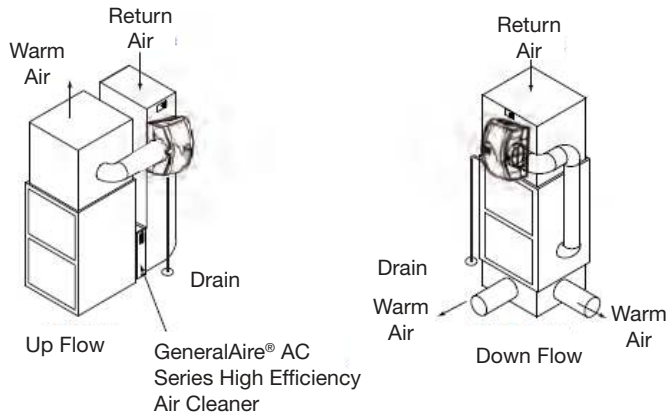
MHX3C
GFI #7038
Included
"M" Models

GeneralAire® Humidifier Model 900

Spec Sheet

Installation:

- Vertical plenum surface of any forced air furnace



Recommended Settings:

At Outside Temperature		Recommended Setting
-20°F	-29°C	15%
-10°F	-23°C	20%
0°F	-18°C	25%
10°F	-12°C	30%
20°F	-7°C	35%
30°F	-1°C	40%

Expected Humidity Performance Coverage in Sq. Ft. Based on Construction Type:

Model No.	GPD	Loose (0.75 AC/H)	Average (0.50 AC/H)	Tight (0.30 A/CH)
570	12	800 Sq. Ft.	1200 Sq. Ft.	2000 Sq. Ft.
900	17	1115 Sq. Ft.	1650 Sq. Ft.	2800 Sq. Ft.
1000	18	1175 Sq. Ft.	1770 Sq. Ft.	3000 Sq. Ft.

Go to www.generalaire.com / support center / humidification calculator to assist in humidifier selection.

Humidifier Performance Baseline Criteria

Outside Design Temp.	0°F (-18°C)
Outside Design R.H.	70% R.H.
Inside Design Temp.	70°F (21°C)
Inside Design R.H.	30% R.H.
Air Changes / Hour (AC/H)	0.30
Ceiling Height	8 ft.
Furnace Plenum Temp.	120°F (49°C)
Furnace Run Time for Calculating Sq. Ft.	8 Hr. / Day