

- Saves installation time and money
- Requires only one 6 inch opening in exterior wall to complete connections for intake/exhaust
- Highly robust design, with damage-resistant metal construction through exterior wall
- Suitable for 5 or 6 inch connections
- Maximized airflow with lower pressure drop
- Fully adjustable thermal insulation
- Durable rigid plastic for duct connections
- Fire-rated, UV resistant materials
- Ideal for space-constrained HRV or ERV applications



Setting a new standard
for energy efficient, clean air homes



Visit us at www.lifebreath.com

One Hood – Two Airflows.

With the Lifebreath Dual Hood, only one 6" hole is required in the exterior wall to complete two connections: fresh air intake and stale air exhaust.

ENGINEERING DATA

Pressure drop/airflow charts should be referred to when matching the Dual Hood to the HRV / ERV.

COMPONENT RATING

All plastic components are rated UL 94V-0.

Foam components are rated 5/50 Flame spread/smoke development.

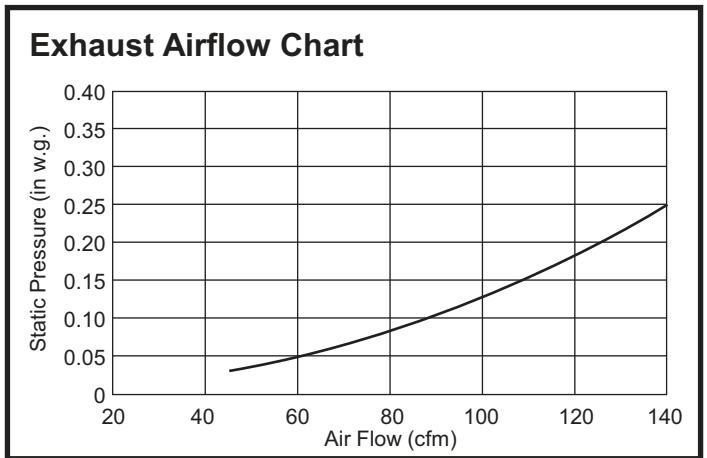
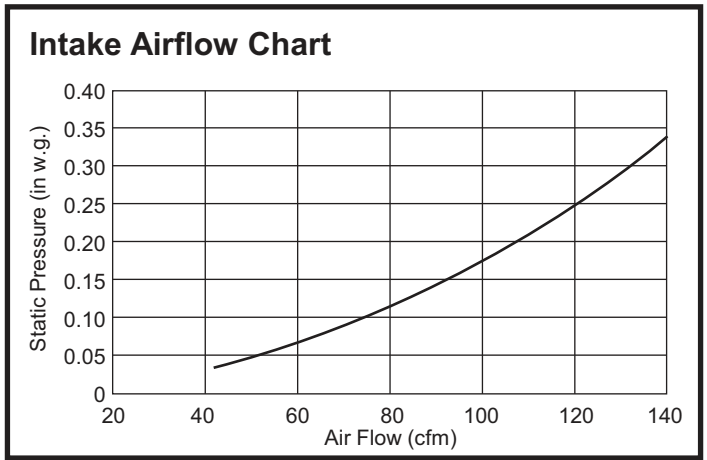
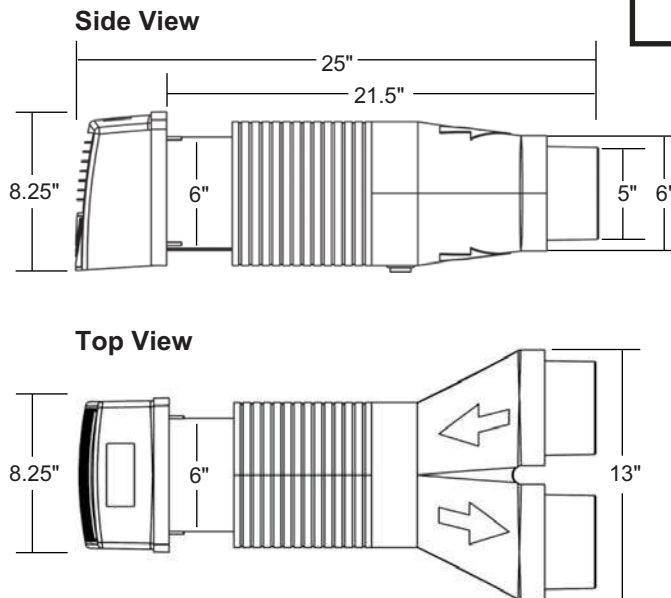
INTAKE AND EXHAUST REQUIREMENTS

- Minimum 6' (2m) away from dryer vents, furnace exhaust (medium or high efficiency furnaces), driveways, oil fill pipes, gas meters, or garbage containers
- At least 18" (457 mm) above the ground, or above the depth of expected snow accumulation.
- At least 3' (1m) from the corner of the building.
- Do not locate in a garage, attic or crawl space.

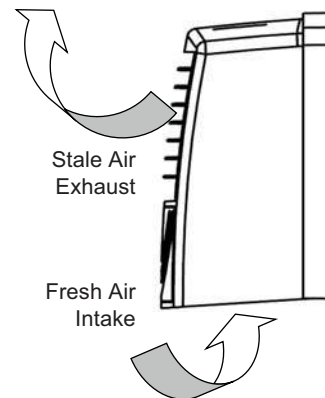
COMPLETE KIT INCLUDES

- Hood Assembly
- Duct Splitter
- Duct Insulator (2 pieces)
- Retainer Screw Assembly
- Nylon Cable Tie
- Screen

DIMENSIONS: Inches



SideView of Hood and Backplate



NOTE

Contact your local building authority before installation of the Dual Hood to verify compliance with local building codes.